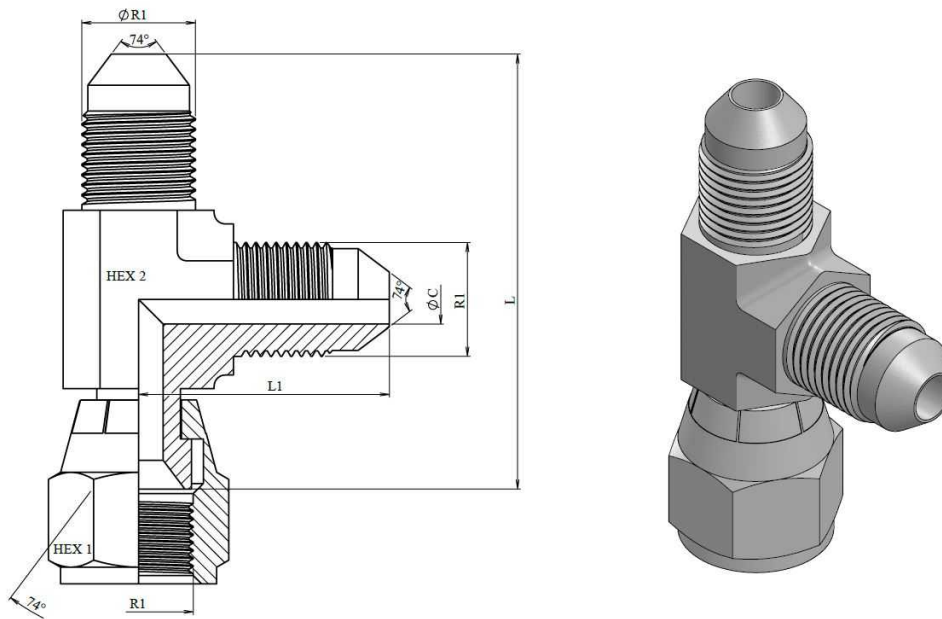


**Swivel barrel tee male JIC 37°- male JIC 37°-
swivel female JIC 37°**

Mild Steel



Part n°	ØD1	ØD2	R1	L	L1	HEX 1	HEX 2	ØC
S68006	6	1/4	7/16" 20h UNF	39	22,5	14	11	4,4
S68008	8	5/16	1/2" 20h UNF	41	24	17	14	6
S68010	10	3/8	9/16" 18h UNF	49	27	19	14	6
S68012	12	1/2	3/4" 16h UNF	56,5	32	22	19	9,5
S68016	14-15-16	5/8	7/8" 14h UNF	65	37	27	22	12,3
S68020	18-20	3/4	1"1/16 12h UNF	72	42	32	27	15,5
S68025	25	1	1"5/16 12h UNF	82	48	41	36	21,5
S68032	30-32	1 1/4	1"5/8 12h UNF	97,5	52,5	50	46	27,5
S68038	38	1 1/2	1"7/8 12h UNF	110	59	55	50	33,5

The material can be provided with imperial hexagons